

General Contractors

**M.A. & M., Inc.**  
dba **ARES**CO  
**CONSTRUCTION**  
**COMPANY**

175 North Main Street  
Middletown, CT 06457  
Phone (860) 346-6621  
Fax (860) 344-8236

## RCO - Request for Change

---

Middletown Senior/Community Center

February 21, 2014

---

### RCO # 010

Silver /Petrucci & Associates  
3190 Whitney Highway  
Hamden, CT 06518  
Attn: Mr. Steven June


---

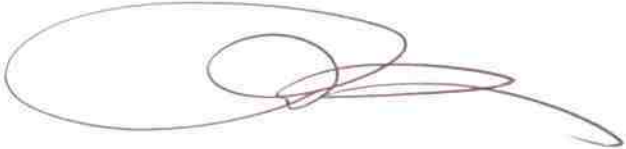
Description: Structural steel changes

The following is our cost proposal to furnish and install the structural steel items per your sks-2, sks-3, sks-4, and email adding new W8x31 beam.

General Contractor	\$ 650
Subcontractor( include GC markup)	\$4,386
Bond <i>2 (10%)</i>	\$ 76
Total RCO 10	\$5,112

Sincerely,

  
Joseph D. Aresco  
President



# Capitol Sign LLC

Capitol Sign LLC  
99 Montowese Street  
Hartford, CT 06114

(860)508-3606  
capitolsign@gmail.com

## Invoice

Date	Invoice No.
02/20/2014	1016
Terms	Due Date
Net 30	03/22/2014

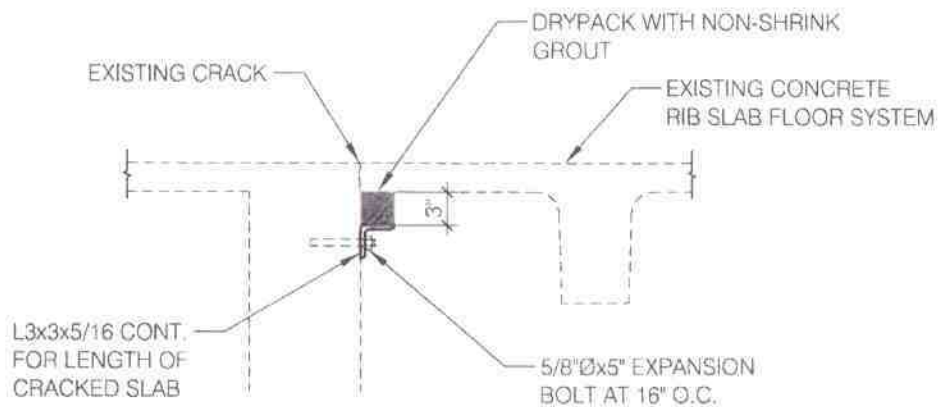
### Bill To

Aresco Construction Company  
175 N. Main Street  
Middletown, Ct. 06457

Amount Due Enclosed
\$3,987.63

Please detach top portion and return with your payment.

Activity	Amount
• Project: Middletown Senior Center.	
Invoice for extra work at Middletown Senior Center:	
• Fabricate and install channels over door on SKS-4, angles at pipe penetration on SKS-3, and angles at existing cracked slab on SKS-2 including hardware and epoxy. Includes field measurement.	2,620.85
• Fabricate, paint, and install 8 x 31 beam over adjacent door. Includes field measurement.	1,366.78
<b>Total</b>	<b>\$3,987.63</b>



## ANGLE AT EXISTING CRACKED SLAB

Scale: 3/4" = 1'-0"

9

**MHAI**  
Michael Horton  
Associates Inc.

Consulting Structural Engineers  
151 Meadow Street  
Branford, Connecticut 06405  
203-481-8600 mha-eng.com

MIDDLETOWN SENIOR/COMMUNITY CENTER  
61 DURANT STREET, MIDDLETOWN CT 06457

ANGLE AT CRACKED SLAB 9/S2.0

Date: 01-14-14

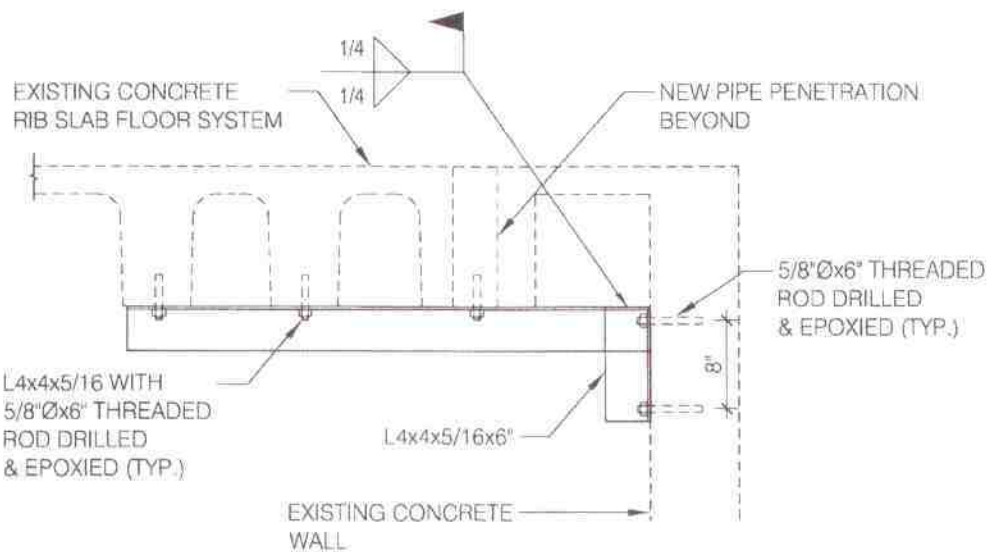
Drawn By: DA

Dwg. No.:

Scale: 3/4" = 1'-0"

Job No: 11-221

**SKS-2**



## ANGLE AT PIPE PENETRATION

Scale: 3/4"=1'-0"

10

**MHAI**  
Michael Horton  
Associates Inc.

Consulting Structural Engineers  
151 Meadow Street  
Branford, Connecticut 06405  
203-481-8600 mha-eng.com

MIDDLETOWN SENIOR/COMMUNITY CENTER  
61 DURANT STREET, MIDDLETOWN CT 06457

ANGLE AT PIPE PENETRATION 10/S2.0

Date: 01-14-14

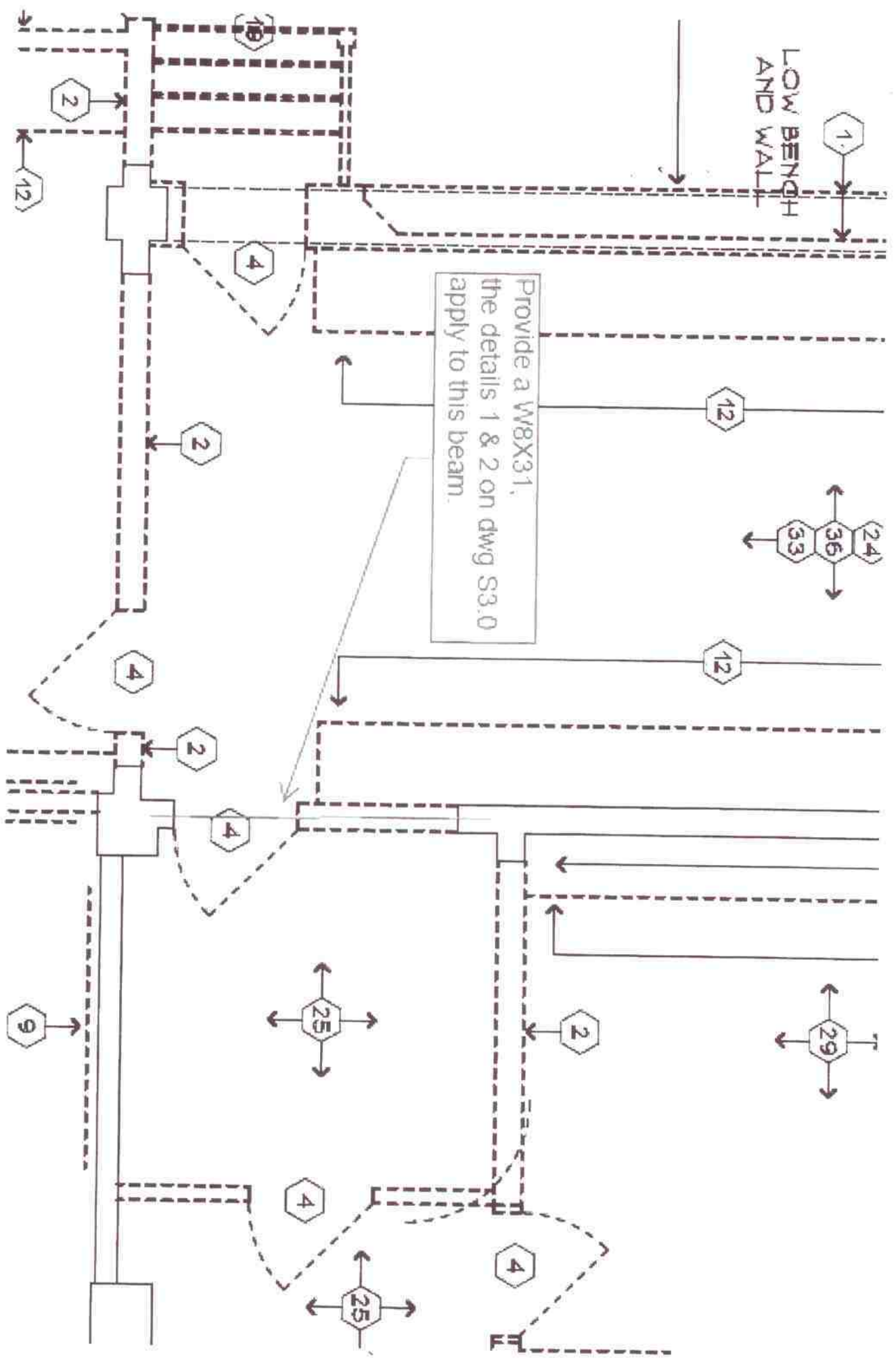
Drawn By: DA

Dwg. No.:

Scale: 3/4"=1'-0"

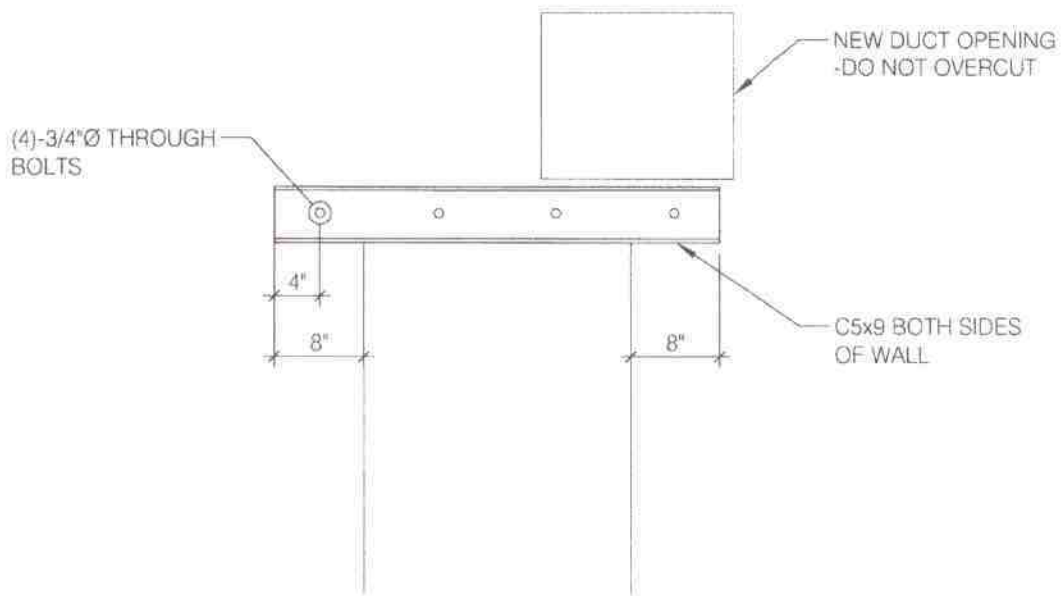
Job No: 11-221

**SKS-3**



Provide a W8X31, the details 1 & 2 on dwg S3.0 apply to this beam.

LOW BENCH AND WALL



## DOOR REINFORCING @ DUCT OPENING

Scale: 3/4"=1'-0"

11

**MHAI**  
**Michael Horton**  
**Associates Inc.**

Consulting Structural Engineers  
 151 Meadow Street  
 Brantford, Connecticut 06405  
 203-481-8600 mha-eng.com

MIDDLETOWN SENIOR/COMMUNITY CENTER

61 DURANT STREET, MIDDLETOWN CT 06457

DOOR REINFORCING AT DUCT OPENING 11/S2.0

Date: 01-14-14

Drawn By: DA

Dwg. No.:

Scale: 3/4"=1'-0"

Job No: 11-221

**SKS-4**